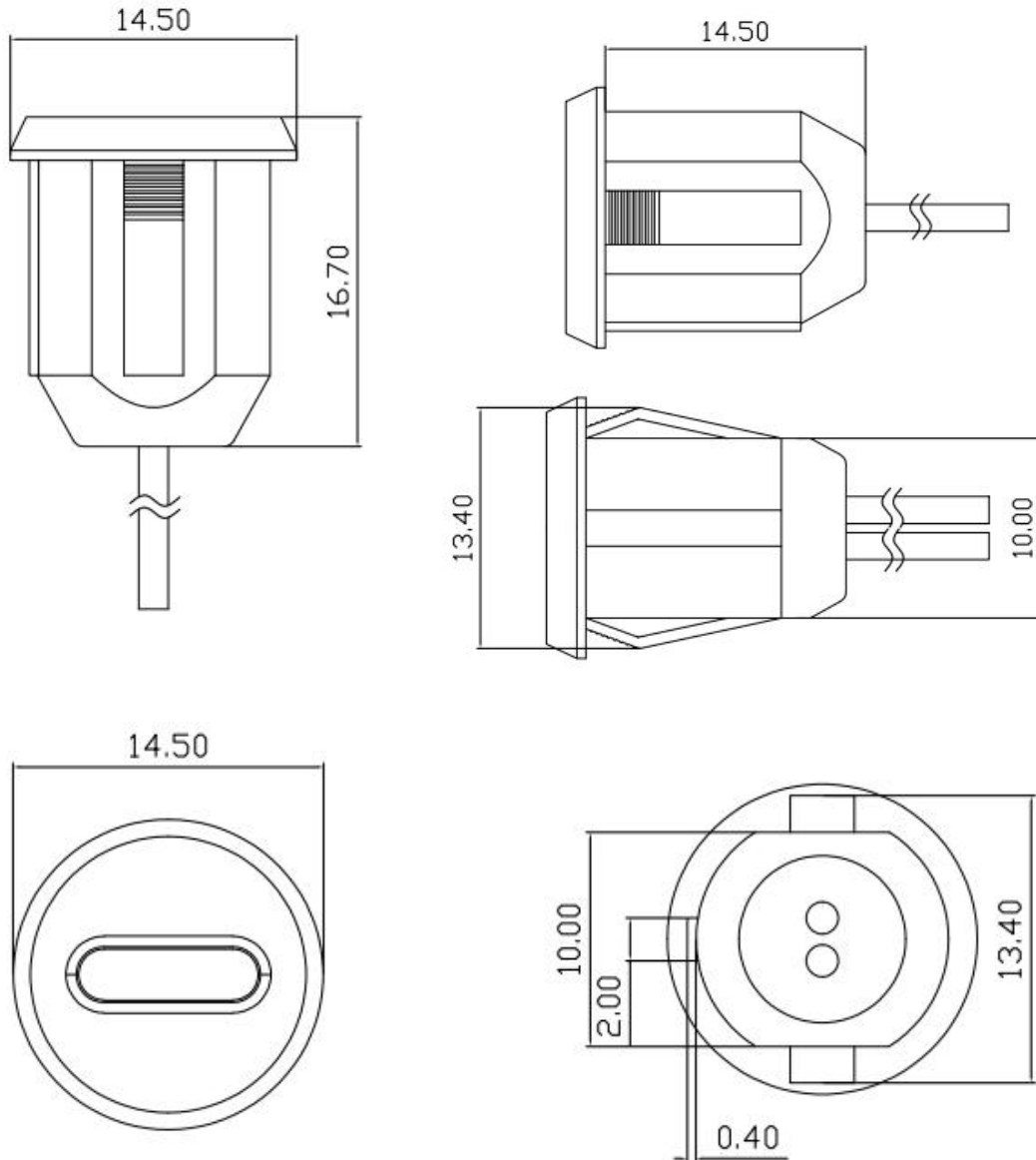
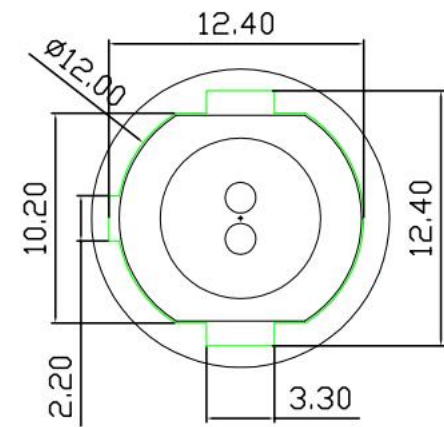
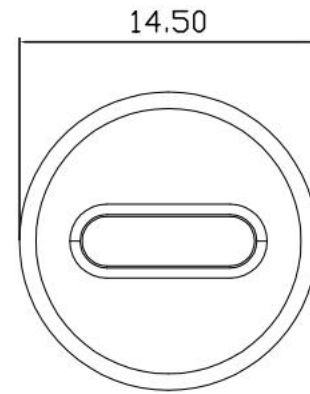
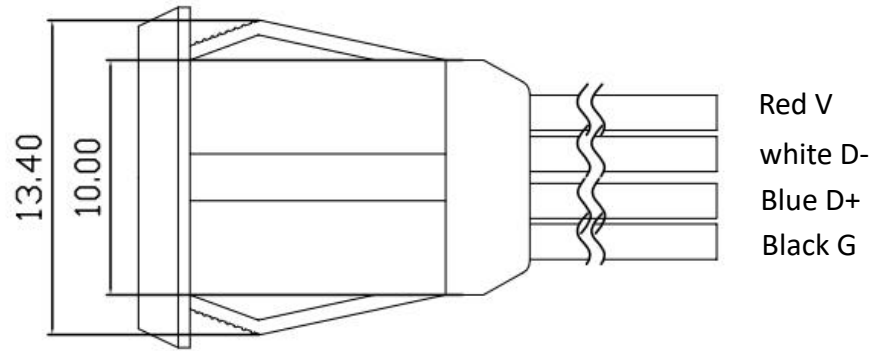
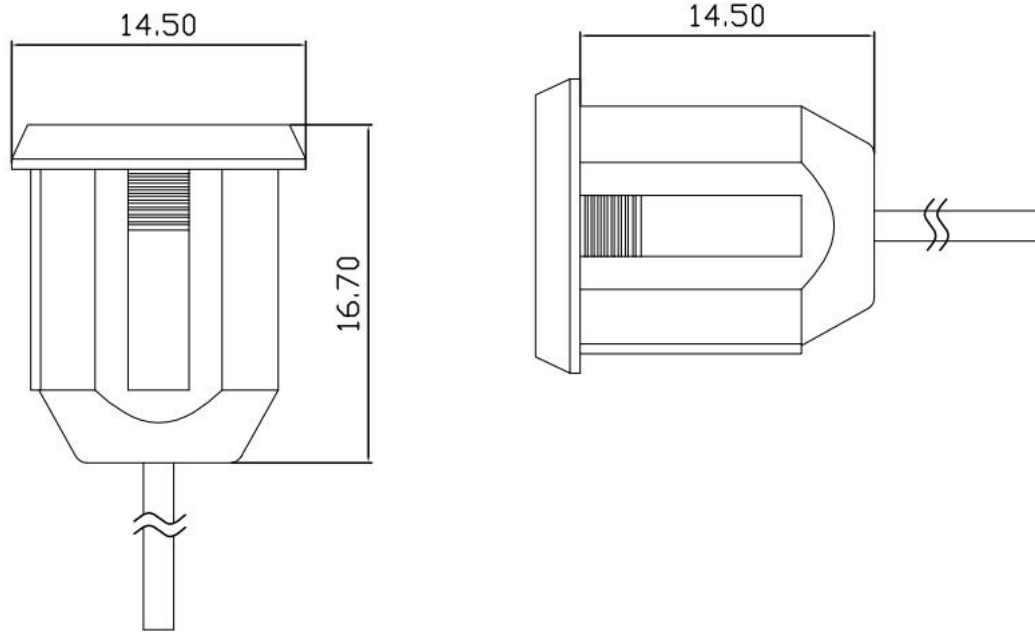


Model : USB-20C-F-02HL01



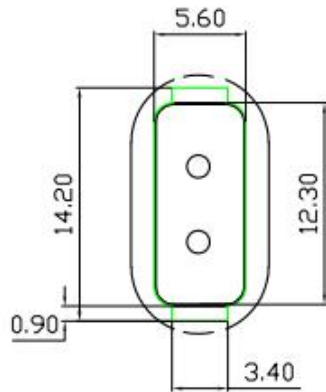
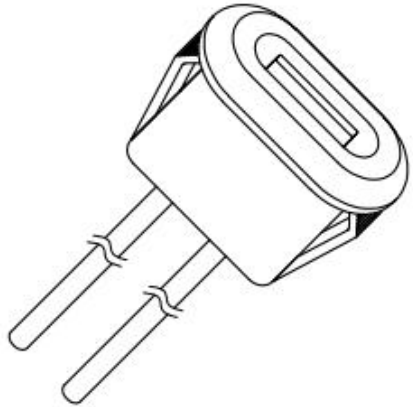
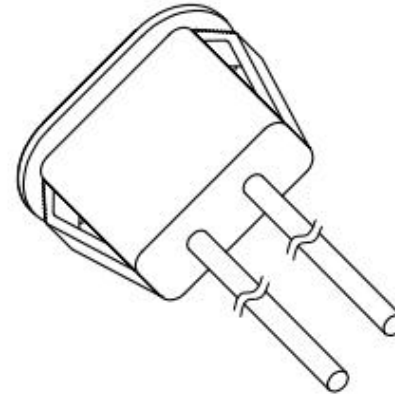
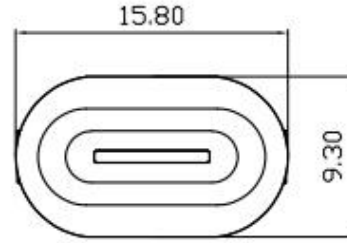
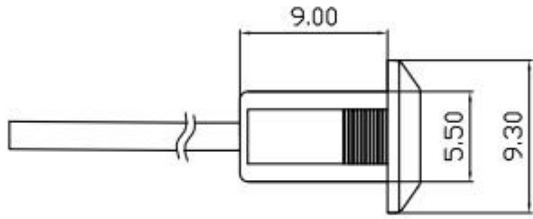
- 1, Silicone gasket hardness 45 degrees. IPX5 rated.
- 2, Wire gauge 1007#24AWG, red for positive, black for negative
- 3, Contact resistance <math>< 30 \text{ m}\Omega</math>, Insulation resistance > 1M ohm
- 4, Insertion force 5-20N, extraction force 5-20N
- 5, Mechanic : > 5000 cycles
- 6, Comply with ROHS

Model : USB-20C-F-02HL01-4P

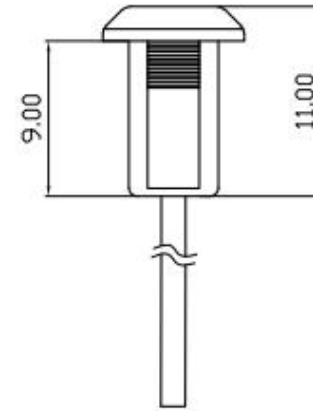
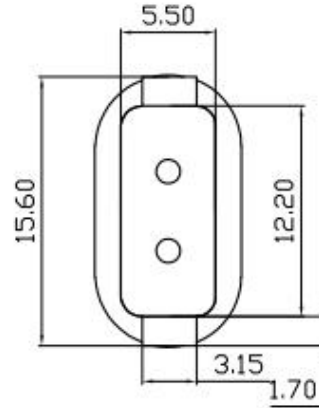


Panel cutout

Model : USB-20C-F-06F12L

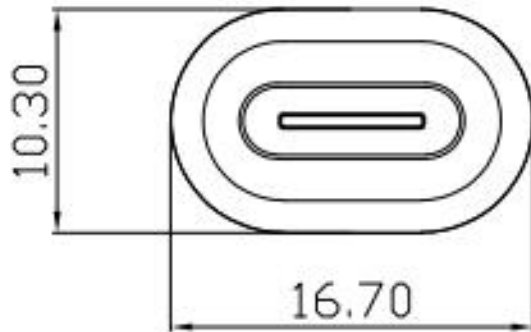
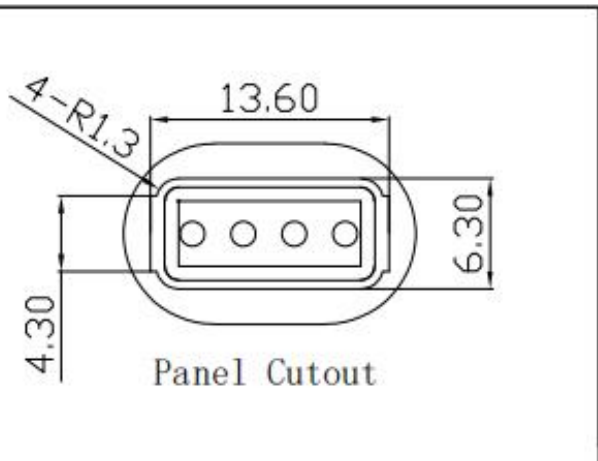
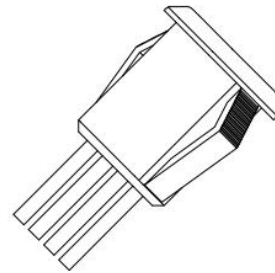
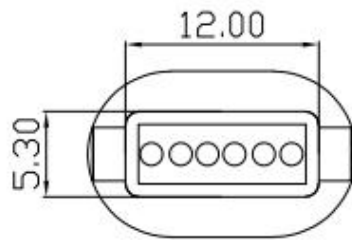
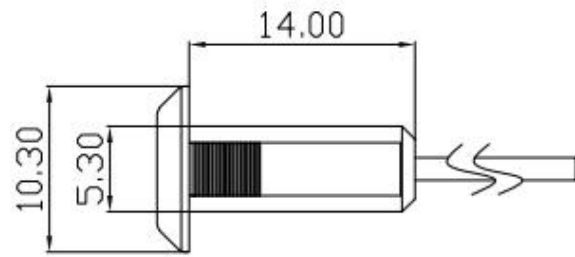
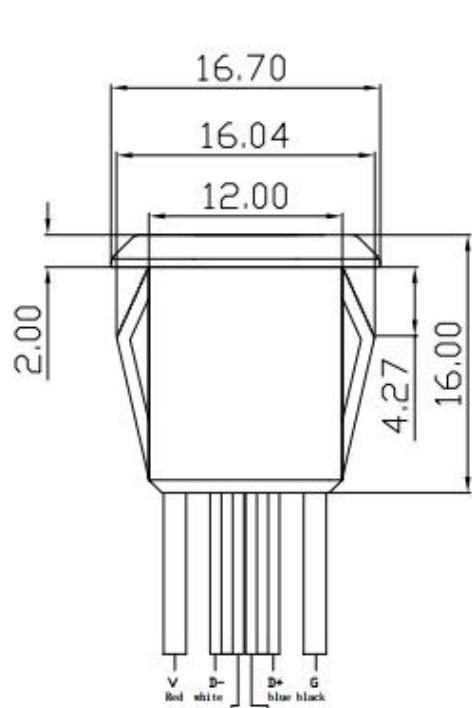


Panel cutout



- 1, wire 1007#24AWG, red for positive, black for GND
- 2, IPX5 rated, silicone gasket hardness 30 degrees
- 3, contact resistance <math><30\text{mohm}</math> insulation resistance >math>>1\text{Mohm}</math>
- 4, insertion force : 5-20N extraction force : 5-20N
- 5, ROHS complaint
- 6, Mechanic : 10000 cycles

Model :USB-20C-F-06F12L-4P



Wire : 1007#24awg

Contact resistance : 30M ohm

Insulation resistance : 100M ohm

Max Voltage : 100V AC

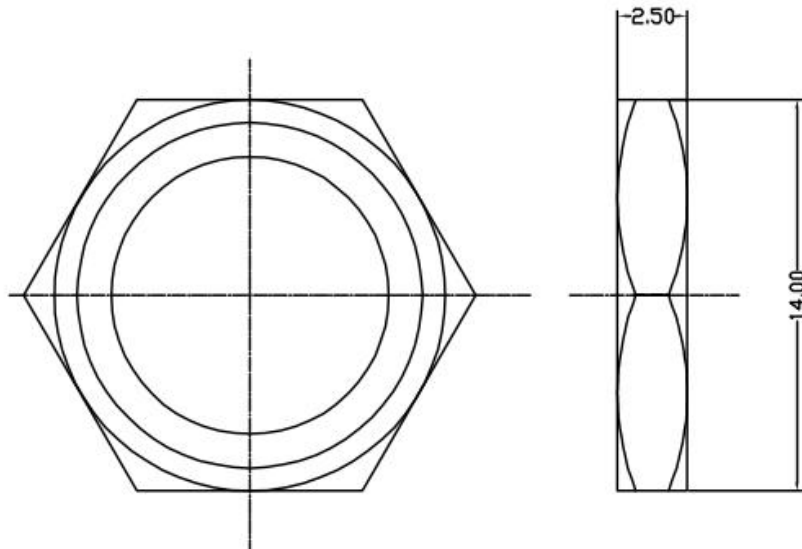
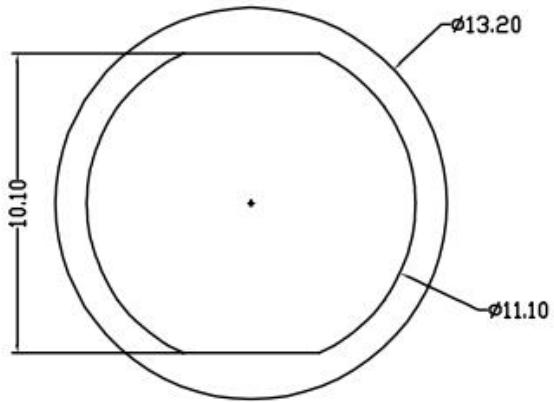
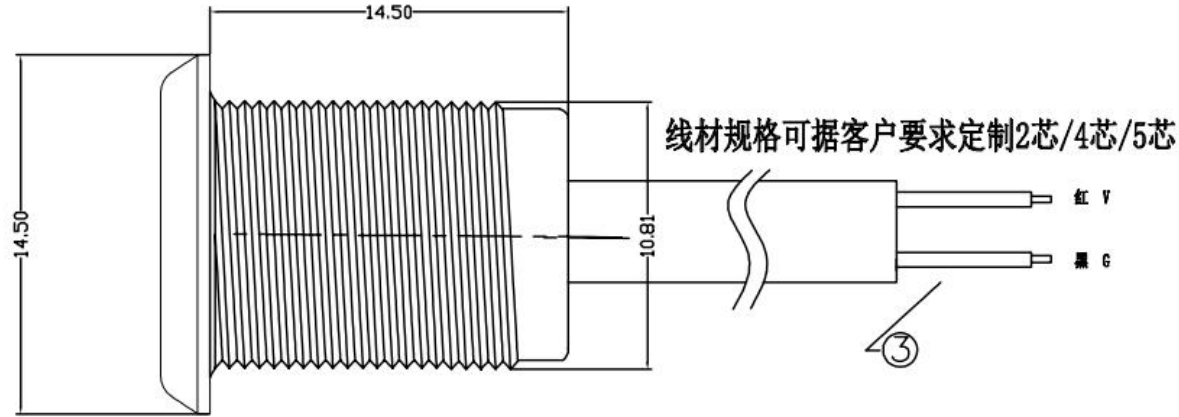
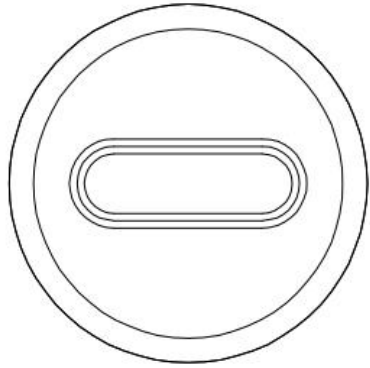
Working Current : 5A

Insertion & extraction force : 20N & 8N

Working Temperature : -55°C to +88°C

Mechanic : 10000 cycles

Model :USB-20C-F-02HL02



Wire : 1007#24awg

Contact resistance : <30M ohm

Insulation resistance : >100M ohm

Max Voltage : 100V AC

Power Rated : 9A/3A

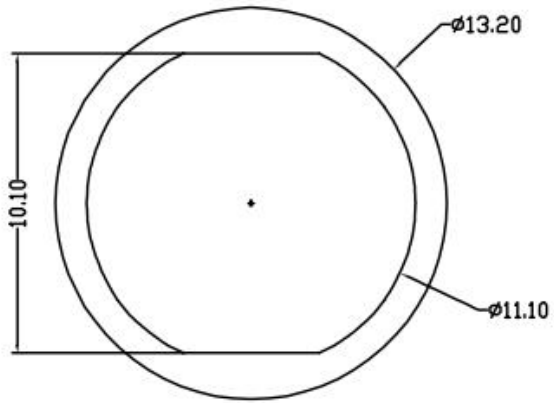
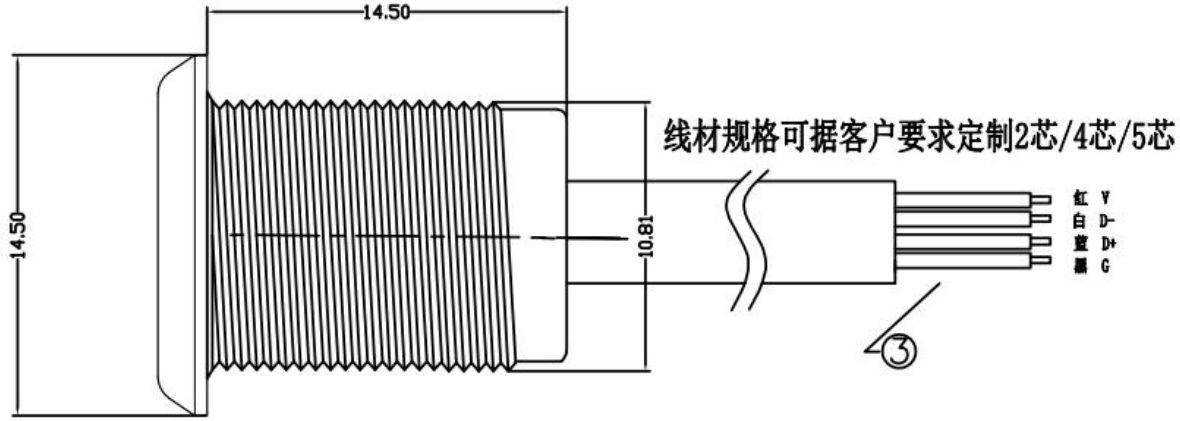
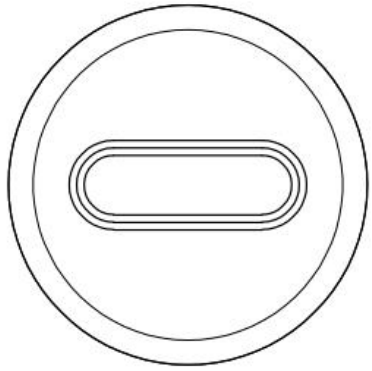
Insertion & extraction force : 20N & 8N

Working Temperature : -55°C to +88°C

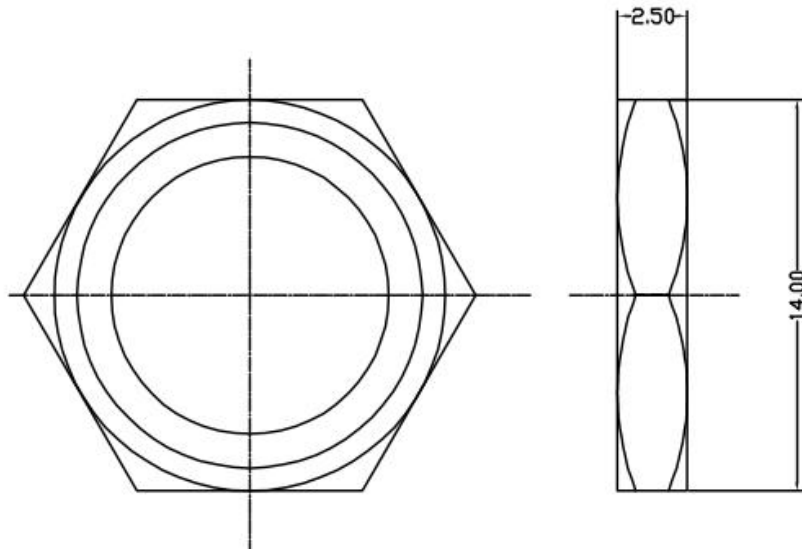
Mechanic : 10000 cycles

Panel cutout

Model :USB-20C-F-02HL02-4

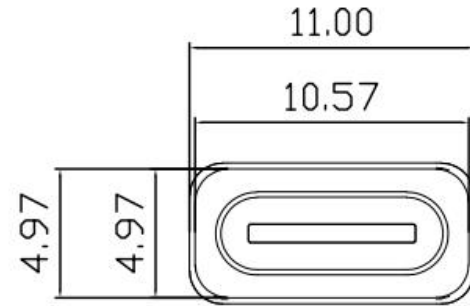
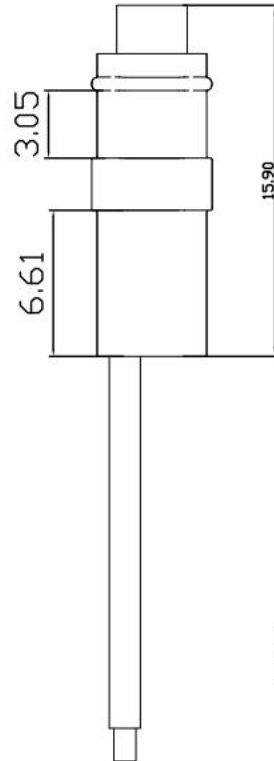
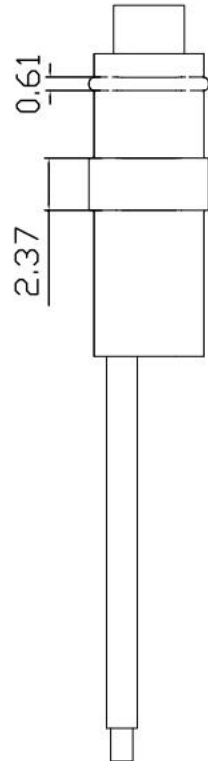
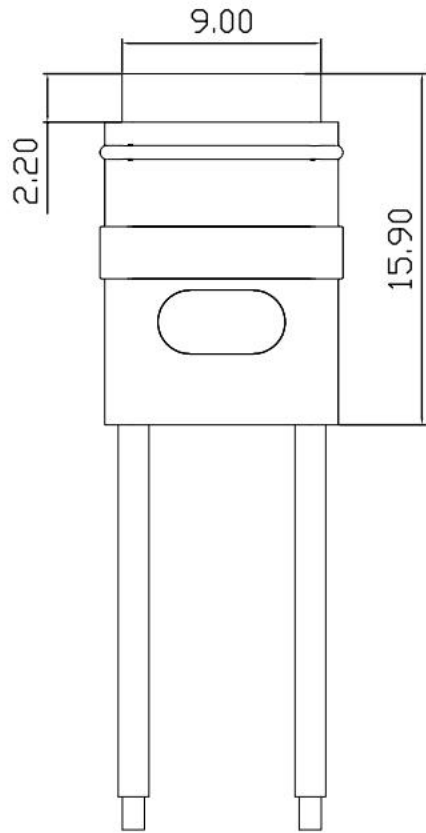


Panel cutout

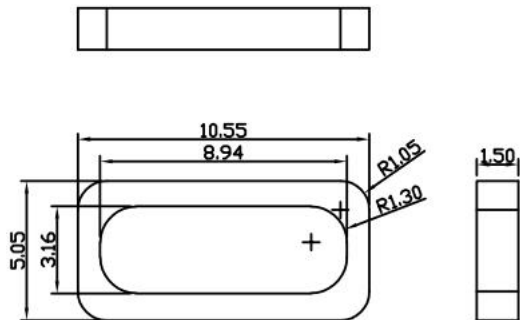


- Wire : 1007#24awg
- Contact resistance : <math>< 30\text{M ohm}</math>
- Insulation resistance : $> 100\text{M ohm}$
- Max Voltage : 100V AC
- Power Rated : 9A/3A
- Insertion & extraction force : 20N & 8N
- Working Temperature : -55°C to $+88^{\circ}\text{C}$
- Mechanic : 10000 cycles

Model :USB-20C-F-06F03L

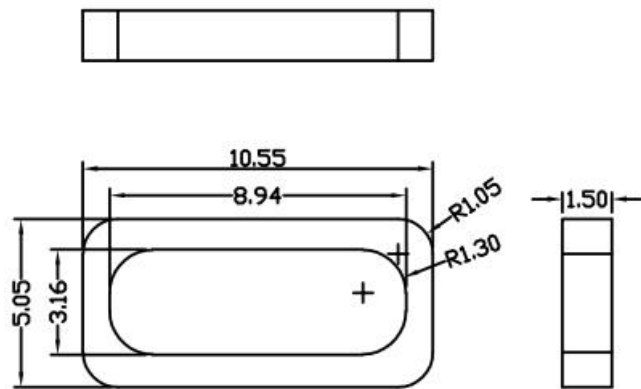
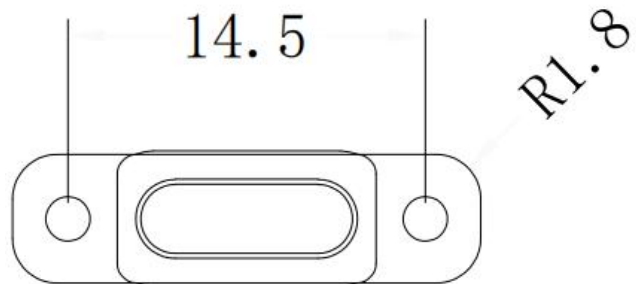
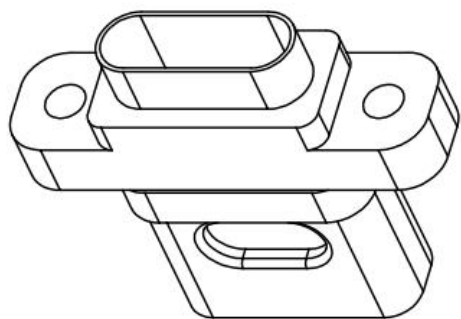
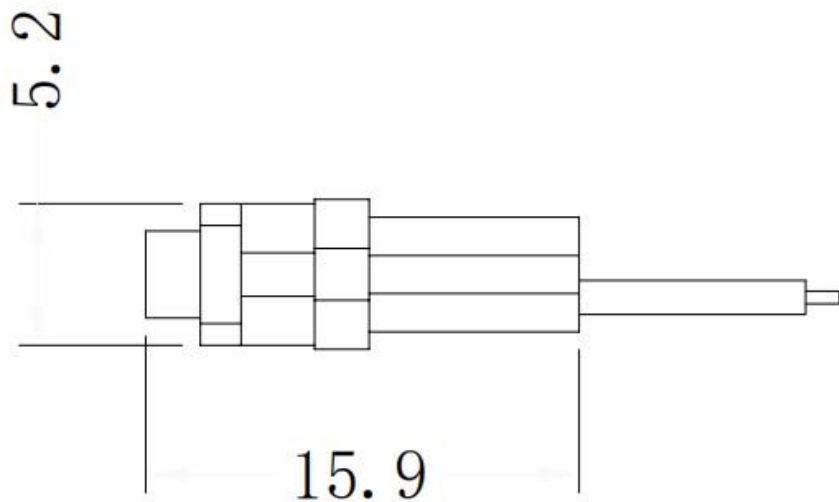
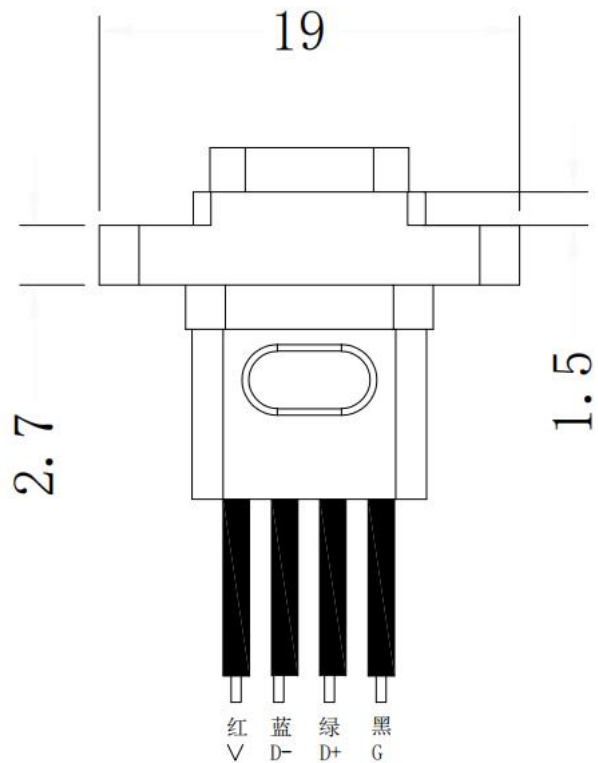


Wire : 1007#24awg
silicone gasket hardness 45 degrees
Contact resistance : <30M ohm
Insulation resistance : >1M ohm
Mechanic : 10000 cycles



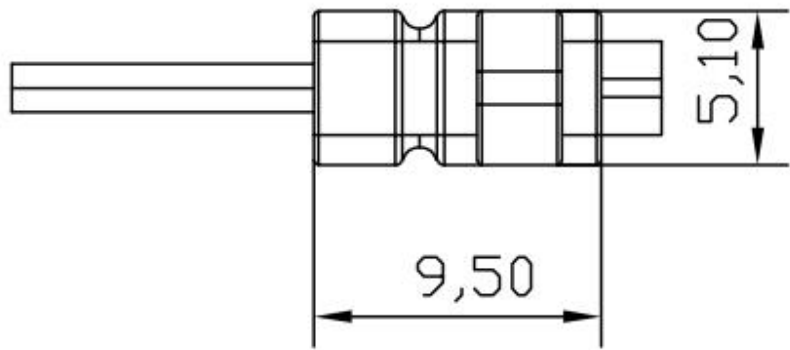
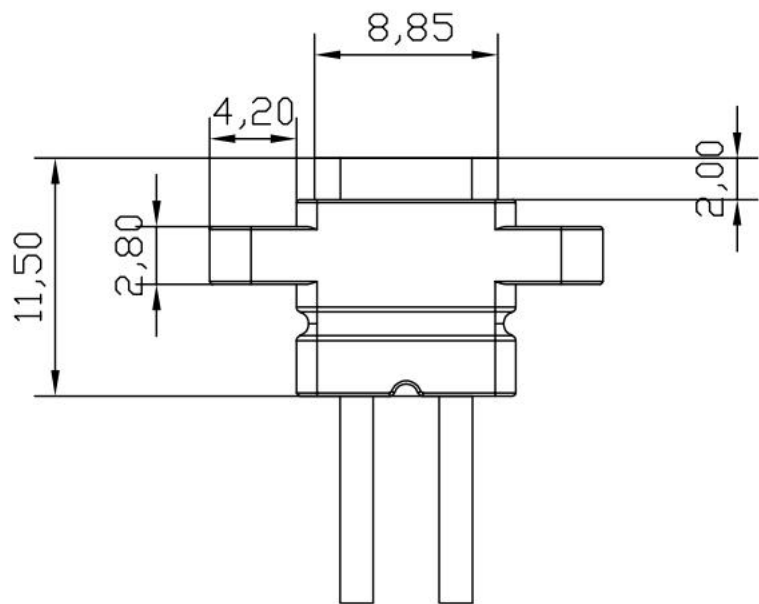
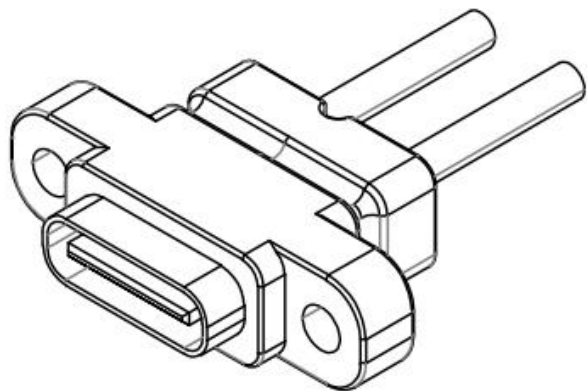
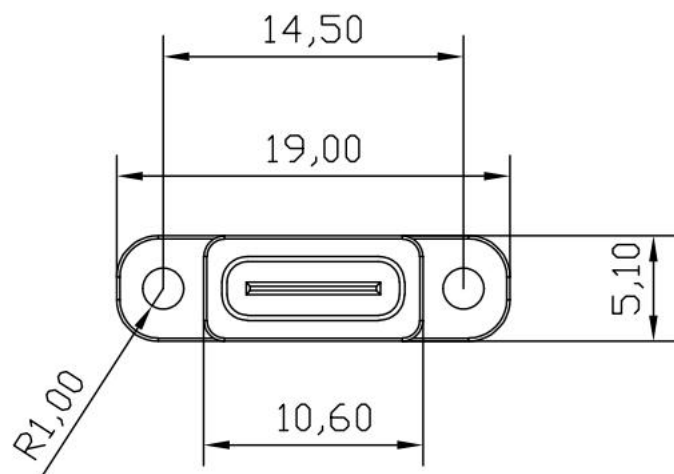
Gasket dimensions

Model : USB-20C-F-06F06L

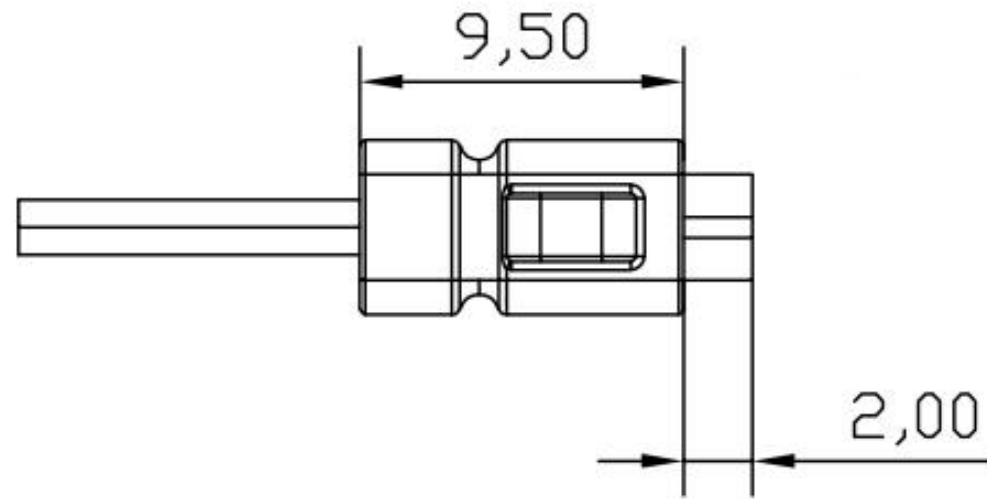
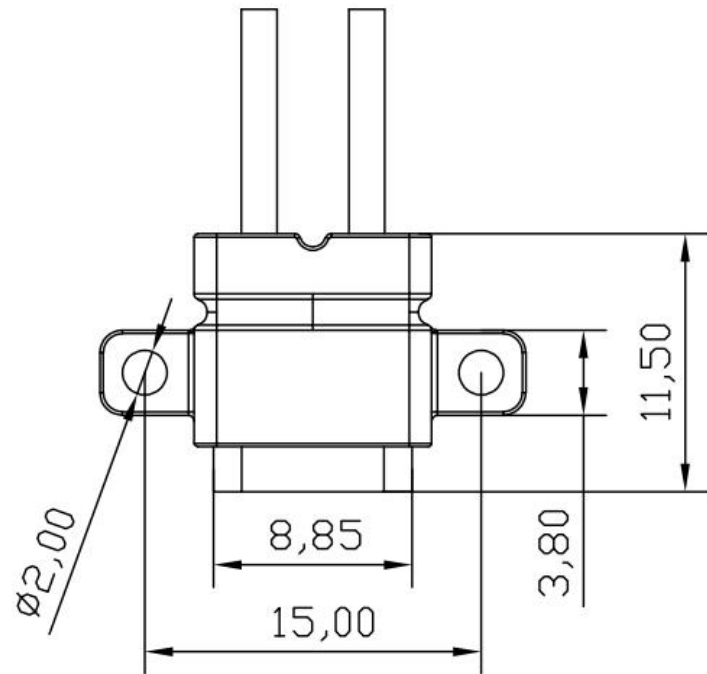
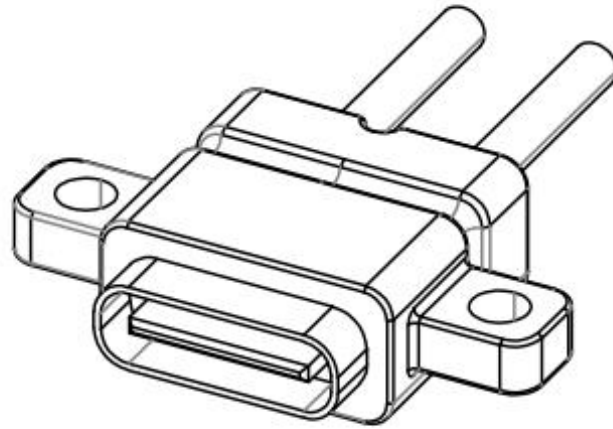
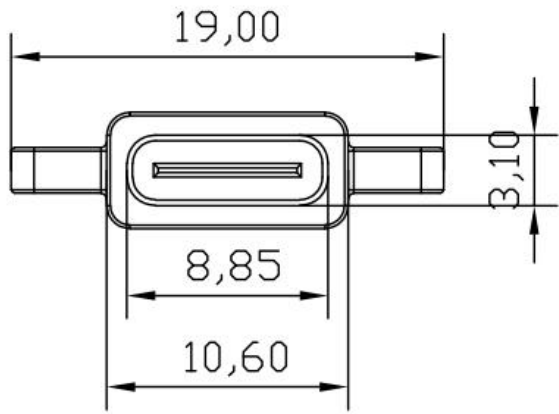


Gasket dimensions

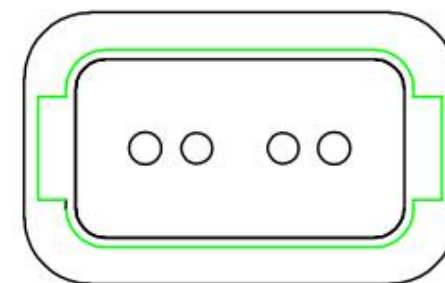
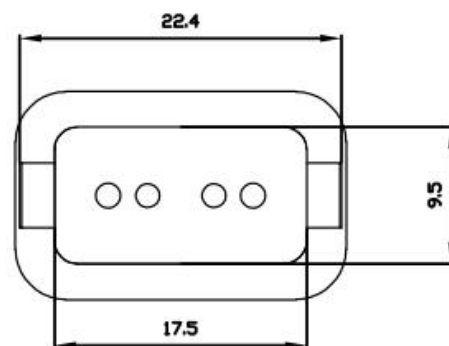
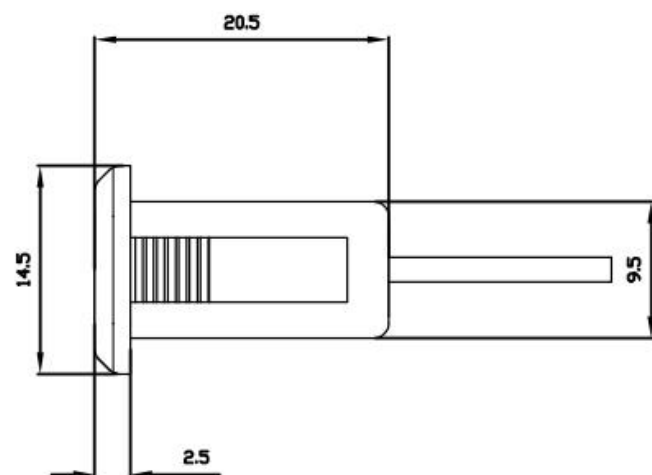
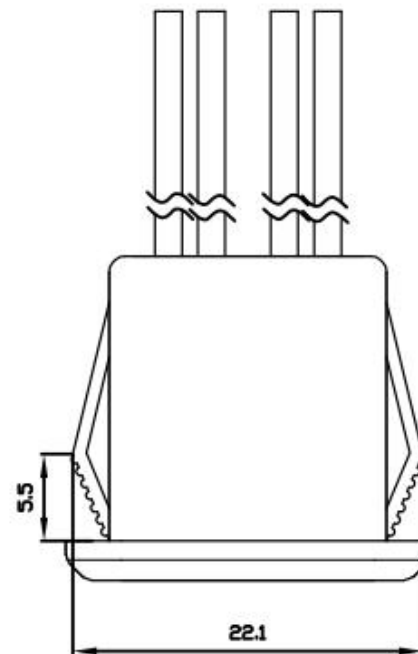
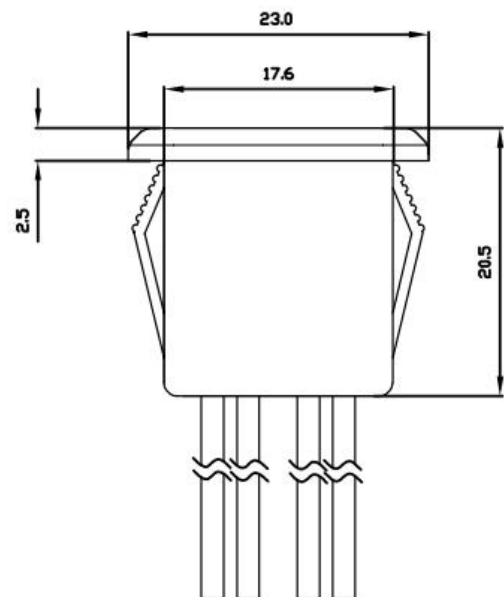
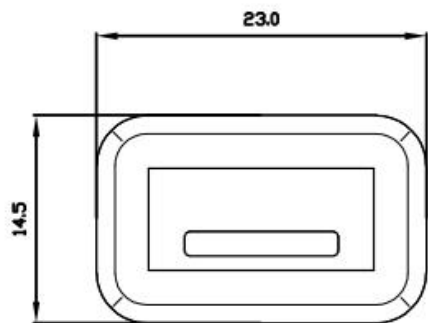
Model : USB-20C-F-06F09L



Model : USB-20C-F-06F10L



Model : USB-A-SA01-F



Panel cutout